

# WIRELESS KEYPAD - MODEL E850M

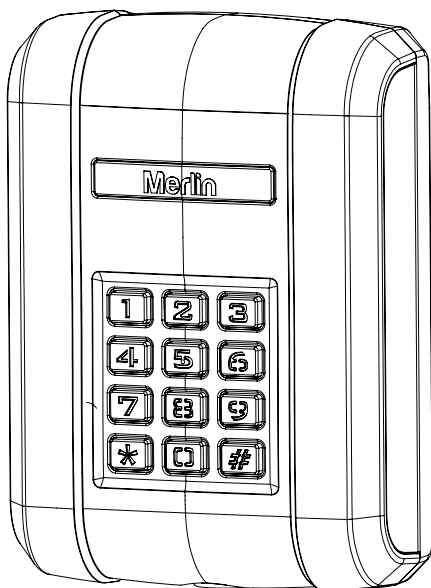
# Merlin®

## OVERVIEW

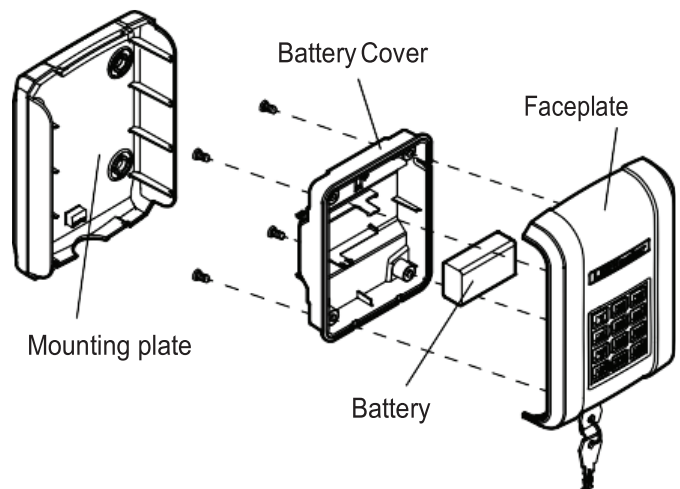
Wireless Keypads are security keypads and should be programmed to ONE opener.

The Wireless Keypad comes with one 9V Lithium battery, instructions, and two keys. A wireless signal is transmitted when a valid 4-digit PIN and the # key is pressed. A long tone will sound. The keypad backlight will illuminate for 15 seconds when any key is pressed. If an invalid PIN or partial PIN is accidentally entered, an error tone will sound. The Wireless Keypad is compatible with all Chamberlain Security+2.0 openers.

MODEL	FREQUENCY AND ENCRYPTION	PIN CAPACITY
E850M	Merlin Security+ 2.0® Tri-band 433 MHz	Up to 5 permanent PINs and Up to 10 unique temporary PINs
	Intended use	Garage door and gate openers with Security+ 2.0 radio
	Battery	1 x 9V Lithium
	Operating temperature range	-20°C to 60°C
	IP rating	55



E850M



## WARNING!

Activate opener only when door/gate is in full view, free of obstruction and properly adjusted. No one should enter or leave while door/gate is in motion. Do not allow children to operate or play with push buttons or remote controls. Do not allow children to play near the door/gate.

NOTE: Only the original remote controls from the manufacturer should be used. Remote controls that may look very similar, but do not originate from the manufacturer are not compatible. Such third-party remotes create malfunctions such as automatic opening, and the guarantee on the function and safety expire

# INSTALLATION

1. Choose a mounting location suitable for your application such as a wall, flat surface, or a pedestal with a 76mm x 76mm mounting pattern. Locate the keypad at least 1.8m away from any moving part of the gate and where the user cannot reach over, under, around or through the gate to operate the controls. The mounting location needs to be in line of sight of the moving gate.
2. Unlock and remove the faceplate from the mounting plate.
3. Mount the mounting plate to the desired surface and secure with screws or bolts.
4. Reattach the faceplate to the mounting plate and lock with the key.
5. The garage door / gate opener must be programmed to accept the new keypad code. See basic programming.

## Replacing Battery:

1. Unlock and remove the faceplate from the mounting plate.
2. Remove the battery cover using a screw driver. Change the battery (9V Lithium battery) and re-install inner cover.
3. Re-attach the faceplate to the mounting plate and lock with the key.

# BASIC PROGRAMMING

The E850G Keypad must be put into programming mode prior to any of the programming steps below unless otherwise indicated. The 6-digit Master Code is used to prevent unauthorized access to the system. A Master Code is required (factory default code: 888888) to setup the E850M Keypad. It is highly recommended to change and record your unique Master Code.

The keypad backlight will remain on if the product is in programming mode. While in programming mode, if an invalid Master Code is entered, an error tone will sound. The keypad will remain in programming mode. After 60 seconds of inactivity, the keypad will exit the programming mode.

## Set Master Code

Programming Step	Keystroke Combination	Indicator
1. Enter program mode	* (Master Code) #	Long tone
2. Update Master Code	09 # (New 6-digit Code) # (New 6-digit Code) #	Long tone
3. Exit Program Mode	* * #	Keypad backlight will turn off

## Program your regular 4-digit PIN

Programming Step	Keystroke Combination	Indicator
1. Enter program mode	* (Master Code) #	Long tone
2. Set new pin	01 # (New 4-digit PIN) # Repeat (new 4-digit PIN) #	Long tone
3. Exit Program Mode	* * #	Keypad backlight will turn off

**NOTE:** An error tone will sound if the maximum number of PINs is exceeded or if user tries to program a PIN already programmed in the memory.

# PROGRAM TO OPENER

NOTE: The Master Code and a PIN need to be set before the opener can be connected to keypad. See Basic Programming.

1. Press the Learn Button on the opener.
2. Within 30 seconds - Enter a valid 4-digit PIN then press #. A long tone will sound.

The keypad is now programmed to the opener.

# OPERATION

To operate the opener using the wireless keypad

1. Enter the 4 digit user code. The keypad backlight will come on with the first digit
2. Press #. A long tone will be heard.

Three tones will be heard if the code is not valid.

# ADVANCED PROGRAMMING

To set up following features the keypad must be put into programming mode first.

## Set Temporary PIN

A temporary 4-digit PIN can be programmed to allow access to visitors (maximum of 9 uses). The temporary PIN cannot be the same as any previously programmed PIN. The keypad will store up to 10 unique temporary PINs.

Programming Step	Keystroke Combination	Indicator
1. Enter program mode	* (Master Code) #	Long tone
2. Set Temporary PIN	05 # (New temporary 4-digit PIN) # (New temporary 4-digit PIN) # Number of uses (9 maximum) #	Long tone
3. Exit Program Mode	* * #	Keypad backlight will turn off

## Delete Permanent or Temporary PIN

Programming Step	Keystroke Combination	Indicator
1. Enter program mode	* (Master Code) #	Long tone
2. Delete PIN	07 # (4-digit PIN to be deleted) # (4-digit PIN to be deleted) #	Long tone
3. Exit Program Mode	* * #	Keypad backlight will turn off

## Reset Master Code

Resetting the Master Code will not remove PINs or temporary PINs from memory. After resetting the Master Code, the keypad will not operate any previously programmed openers until they are reprogrammed. To reset the Master Code to the factory default (888888):

1. Unlock and remove the front cover.
2. Press and hold the RESET button on the control board for 6 seconds. A long tone sounds indicating the Master Code has been reset.

## Reset Keypad

Resetting the keypad will erase the Master Code, all permanent PINs and all temporary PINs. All settings will be set to factory default. After resetting, the keypad will not operate the previously programmed openers until they are reprogrammed. To reset the keypad:

1. Unlock and remove the front cover.
2. Press and hold RESET button on the control board for 6 seconds until a long tone sounds, then release.
3. Press and hold RESET button on the control board for 15 seconds, 3 long tones will sound indicating the keypad has been reset.

## Lockout Mode (Default is ON)

If the keypad receives five consecutive invalid PINs, the keypad will enter lockout mode and will not accept any keypad inputs for 30 seconds. After 30 seconds, the keypad will begin accepting new inputs.

Programming Step	Keystroke Combination	Indicator
1. Enter program mode	* (Master Code) #	Long tone
2. Set Lockout mode to <b>ON</b> :	02 # 1 #	Long tone
3. Exit Program Mode	* * #	Keypad backlight will turn off

## Lockout Mode (OFF)

Programming Step	Keystroke Combination	Indicator
1. Enter program mode	* (Master Code) #	Long tone
2. Set Lockout mode to <b>OFF</b> :	02 # 0 #	Long tone
3. Exit Program Mode	* * #	Keypad backlight will turn off

# BATTERY



## WARNING!

Risk of explosion if the battery is replaced by an incorrect type.

Do not ingest battery, Chemical Burn Hazard.

This product contains a coin battery. If swallowed, button batteries can cause injuries, or death.

- Keep batteries out of sight and out of the reach of children, button/coin batteries can be dangerous for children.
- Dispose of used button batteries immediately. Do not use defect/swallowed batteries.
- Check periodically if the battery compartments is secure, stop using if defect.
- If batteries might have been swallowed or placed inside any part of the body, seek immediate medical attention.

The 9V Lithium battery should produce power for up to 5 years. To replace the battery:

1. Unlock and remove the front cover from the mounting plate.
2. Remove the battery cover using a screw driver.
3. Remove the old battery and install new 9V Lithium battery. Re-install inner cover.
4. Reattach the front cover to the mounting plate and lock with the key.

Dispose of old battery according to the local rules.

# TROUBLESHOOTING

SYMPTOM	CAUSE	SOLUTION
The keypad will not program to the opener.	The opener product is not compatible to the keypad.	Choose the correct opener product or use compatible receivers.
The backlight and tone on the keypad no longer work.	Battery may be dead.	Replace battery with 9V Lithium battery.
Key press turns on backlight but no beep.	Stuck button.	Check that all buttons are not stuck.
PIN won't learn.	PIN already learned.	Learn a new PIN. Exit Learn.
PIN won't learn.	Memory full.	Erase a PIN to add a new pin. Perform Factory Reset to erase all PINs.